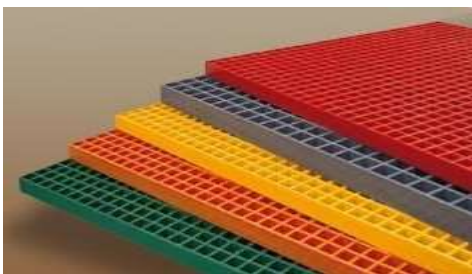
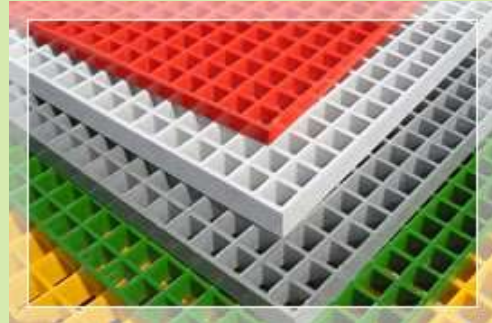


DAMPERS / RADIAL FAN
DUCTS, FITTINGS / GRATINGS
SLUDGE BIN / MANHOLE COVER





THERMOPLASTIC

FRP/GRP
PP
HDPE
PVDF
ALL DUCTS ARE
GENERALLY PRODUCED
MINIMUM THICKNESS
OF 3mm

DUAL LAMINATES

PP+FRP/GRP
HDPE+FRP/GRP
OR
ANY CLADDING
MATERIALS

- DAMPERS / RADIAL FAN
- DUCTS, FITTINGS / GRATINGS
- SLUDGE BIN / MANHOLE COVER

MATERIAL OF CONSTRUCTION

- PP & HDPE up to 250 NB
- PVDF + FRP up to 2000 NB
- Complete FRP up to 3000 NB

NOTE:“ For FRP/GRP, we use the resins like Isophthalic, Biphenyl, Vinyl ester & Super Vinyl ester”



Tel: +9144 48590405

Website: www.likutech.com

Email: info@likutech.com

VOLUME CONTROL DAMPERS:

APPLICATION:-

LIKU-TECH volume control dampers are designed for regulation of air flow and pressure in ventilating ducts. It can be installed as independent unit or combined with protection. The volume control dampers that we offer are known for their high tensile strength for polluted air stream application with specific design and long service life.

GENERAL ARRANGEMENT DRAWING



DESIGN DATA FOR DAMPERS

BODY HOUSING	FRP
BLADE	FRP WITH RIBS
SHAFT	SS 316 L
SHAFT SEAL	EPDM / SIMILAR
END CONNECTION	FLANGED
FLANGE BACKING RING	SS 316 L FLANGE DRILLING IN ACCORDING TO ISO-7005, ANSI B16.5

RADIAL FAN:



APPLICATIONS:

LIKU-TECH provides high quality radial fans; they are made of thermoplastic & stainless Steel materials. Our radial fans are mainly used for polluted air stream extraction on the wastewater & process Industries.

SPECIFICATIONS:

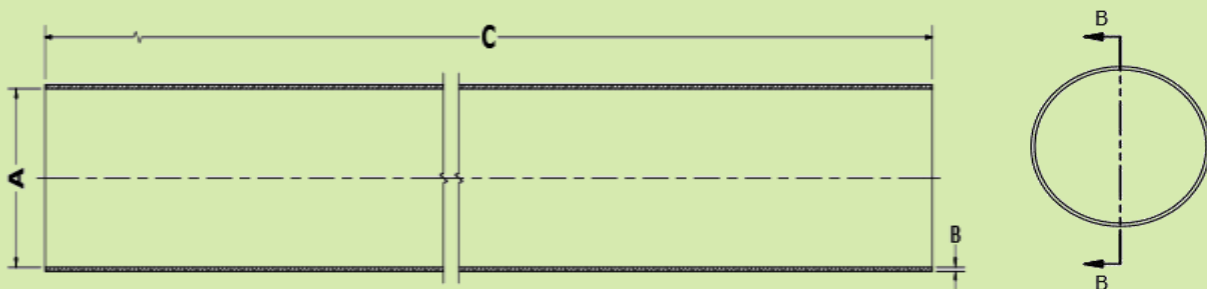
MOC	EP PP, HDPE, FRP, GRP, Carbon Steel & Stainless Steel
Drive	Direct Motor driven/ Belt Driven
Application	All waste gas ventilation
Standard	IS 4894-1987/ IS 388-1987/ BS 848/ AMCA 210*/ DIN 24194/ DIN 25496

DUCTS / FITTINGS:

APPLICATION:-

LIKU-TECH provides quality solutions with FRP / GRP ducts and fittings. Our ducts & fittings are used in many domestic & industrial, water, wastewater polluted air stream applications where the corrosion is a major problem.

FRP PIPES

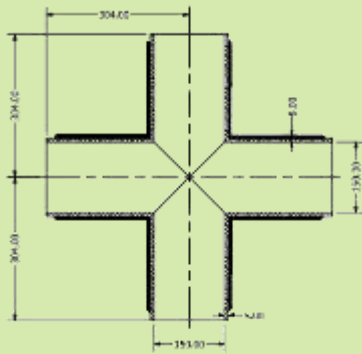


- SIZES : 50mm To 3000mm
- PRESSURE RATING CLASS : PN10/CC-150 – PN16/CC-300

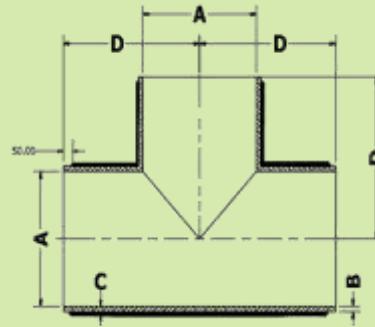
DESIGN DATA FOR FRP PIPES

DESIGN CODE	BS EN 14364
INSTALLATION TYPE	INDOOR & OUTDOOR
DESIGN PRESSURE	10 BAR OR MORE
OPERATION TEMP/DEISGN TEMP. [C]	UPTO 90 DEG C
MEDIUM	POLLUTED GAS

FRP TEE



FRP EQUAL TEE [4 WAY]



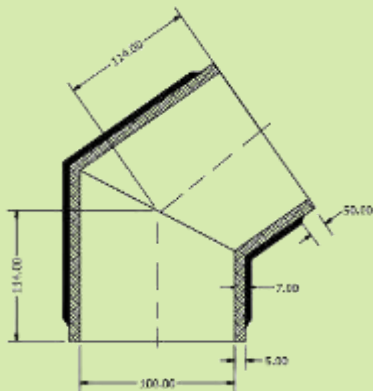
EQUAL TEE

- SIZES : 50mm To 3000mm
- PRESSURE RATING CLASS : PN10/CC-150 – PN16/CC-300

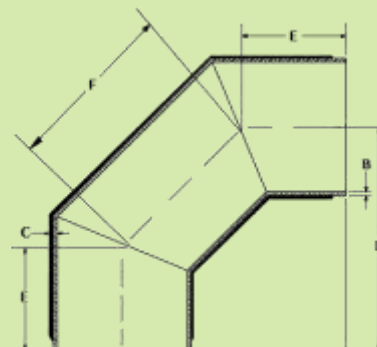
DESIGN DATA FOR FRP TEE

DESIGN CODE	BS EN 14364
INSTALLATION TYPE	INDOOR & OUTDOOR
DESIGN PRESSURE	10 BAR OR MORE
OPERATION TEMP/DEISGN TEMP. [C]	UPTO 90 DEG C
MEDIUM	POLLUTED GAS

FRP BENDS



FRP BEND 45 DEGREE

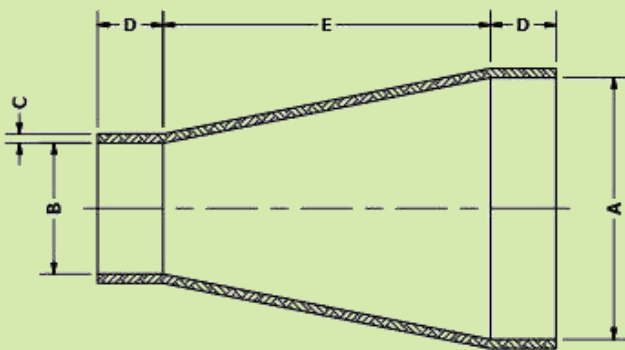


FRP BEND 90 DEGREE

DESIGN DATA FOR BENDS

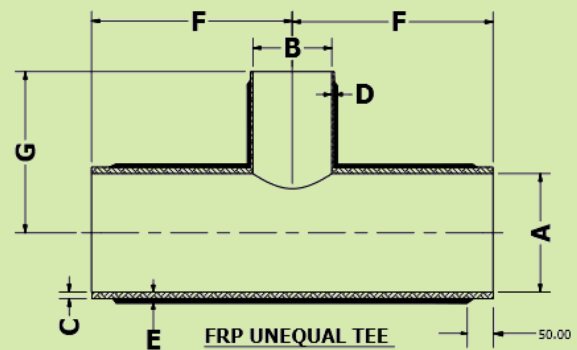
DESIGN CODE	BS EN 14364
INSTALLATION TYPE	INDOOR & OUTDOOR
DESIGN PRESSURE	10 BAR OR MORE
OPERATION TEMP/DEISGN TEMP. [C]	UPTO 90 DEG C
MEDIUM	POLLUTED GAS

FRP REDUCER



FRP REDUCER

- SIZES : 50mm To 3000mm
- PRESSURE RATING CLASS : PN10/CC-150 – PN16/CC-300

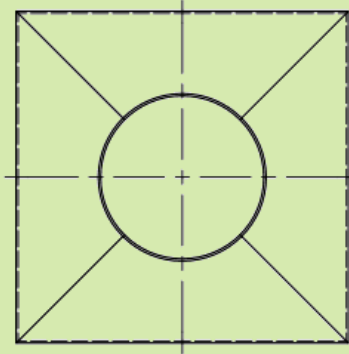
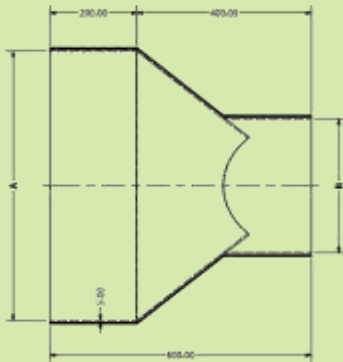


FRP UNEQUAL TEE

DESIGN DATA FOR RECUCER

DESIGN CODE	BS EN 14364
INSTALLATION TYPE	INDOOR & OUTDOOR
DESIGN PRESSURE	10 BAR OR MORE
OPERATION TEMP/DEISGN TEMP. [C]	UPTO 90 DEG C
MEDIUM	POLLUTED GAS

FRP TRANSITION PIPES

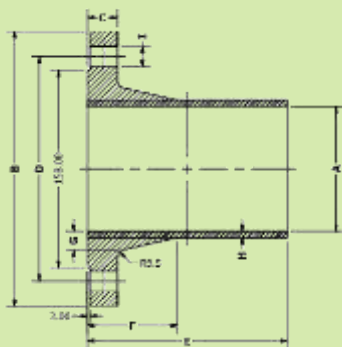


- SIZES : 50mm To 3000mm
- PRESSURE RATING CLASS : PN10/CC-150 – PN16/CC-300

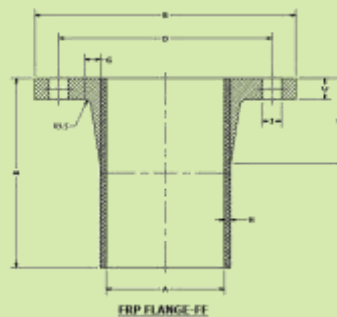
DESIGN DATA FOR FRP TRANSITION PIPES

DESIGN CODE	BS EN 14364
INSTALLATION TYPE	INDOOR & OUTDOOR
DESIGN PRESSURE	10 BAR OR MORE
OPERATION TEMP/DEISGN TEMP. [C]	UPTO 90 DEG C
MEDIUM	POLLUTED GAS

FRP FLANGES



FRP FLANFE RF



FRP FLANGE FF

- SIZES : 50mm To 3000mm
- PRESSURE RATING CLASS : PN10/CC-150 – PN16/CC-300

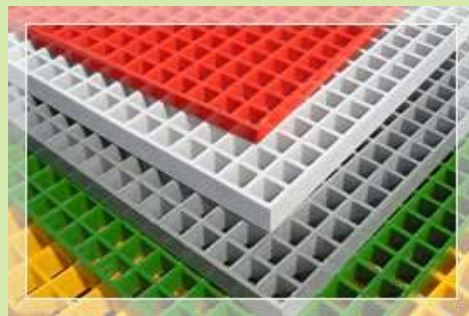
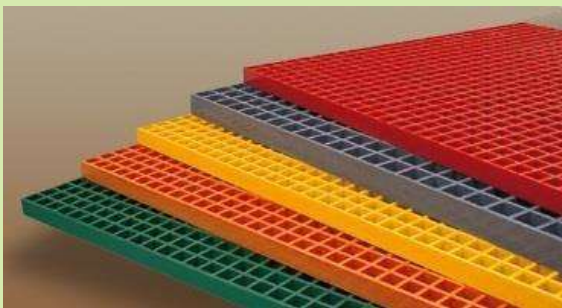
DESIGN DATA FOR FLANGE

DESIGN CODE	BS EN 14364
INSTALLATION TYPE	INDOOR /OUTDOOR
DESIGN PRESSURE	10 BAR OR MORE
OPERATION TEMP/DEISGN TEMP. [C]	UPTO 90 DEG C
MEDIUM	POLLUTED GAS

FRP GRATINGS:

Likutech design and manufacture FRP gratings gratings with material of Polyester, Vinyl ester resin and Phenolic resin grating. The Isophthalic polyester resin gives it resistance to corrosion in the marine and most chemical industries whilst the Vinyl Ester resin is used mainly where there is a concentration of acids, the Phenolic resin grating is used in high fire rating, low smoke area.

- SIZES: standard optional size 1220 × 4000mm, 1220 × 3660mm, 1220 × 2440mm, 915 × 3050mm.



SLUDGE BINS:

Our Sludge Bins are suitable for a variety of contaminated liquids as well as hazardous soils/mud, fly ash, filter cake, car wash grit. And also can be used in Industries including manufacturing facilities, spill sites, construction sites, refineries, mines, STP and more.

- Capacity: From 0.5m³ to 3m³
- Heavy Duty Caster Wheel used for Heavy load



TECHNICAL DATA SHEET FOR FRP SLUDGE BIN

SL #	DESCRIPTION	COMPLIANCE
1	Bin Frame	Fabricated mild steel for rigidity with 100% FRP lamination
2	Bin basket	Fiber Reinforced plastic
3	Process	Lamination
4	MAT MOC	Chopped Strand (Glass Woven Fabric)
5	Resin	High Quality Vinylester
6	Wheels	Heavy duty caster wheel (Each 250 -300 Kg's)
7	Protection	UV, Temperature, H2S & toxic gases resistance
8	Lifting arrangement	HD-Lifting hooks / FRP lamination (Max load of 2 tons)
9	Breaks	Two rear wheels pedal press breaks
10	Doors Design	Swing type (Auto push if the bin's loaded fully)
11	Door locks	Easy lever lock arrangements with 180D operation
12	Overall lifting load	1.5 tons @ max with concrete debris
13	Pull rod	Additional options to open the door
14	Steel fabricated frames	The entire frames nominated with FRP inside / outside
15	Bin bottom slide	Bottom slide with 30 deg angel to push sludge by gravity
16.	Maintenance	Easy maintenance with periodical greasing for the wheels

MANHOLE COVERS:

Likutech manufacturers FRP / GRP Manhole Covers, Fibre Reinforced Plastic Products, Composite Manhole Covers, GRP Manhole Cover, Rust free, Light Weight, free from theft Manhole Covers.

- **RECOMMENDED LOAD CAPACITY AS PER IS:1726-1991 & EN-124**
 - LIGHT DUTY - Test load-2.5 Ton
 - MEDIUM DUTY-Test load-10 Ton
 - HEAVY DUTY-Test load-20 Ton
- **STANDARD SIZES AVAILABLE**
 - SQUARE : 450mm x 450mm , 600mm x 600mm, 900mm x 900mm, 1000x1000mm
 - ROUND : 530mm Dia Clear opening , 600mm Dia Clear Opening , 900mm Dia Clear Opening
 - RECTANGLE : 450mm x 600mm , 450mm x 900mm, 600mm x 900mm , 900mm x 1200mm



FRP COVERS:



FRP covers are specifically designed for water and wastewater treatment facilities. The fiberglass tank covers are constructed with high-strength, corrosion resistant, and lightweight FRP components providing long-term service and designed for easy installation.

- FRP Covers are tailor made accordingly to the clients requirement.

Contact :



HIG-57, 2nd Floor,
Mogappair West Main Road,
Nolambur, Chennai – 600037,
Tamil Nadu, India.

Ph No - +91 44 48590425

Mail – info@likutech.com

Website- www.likutech.com